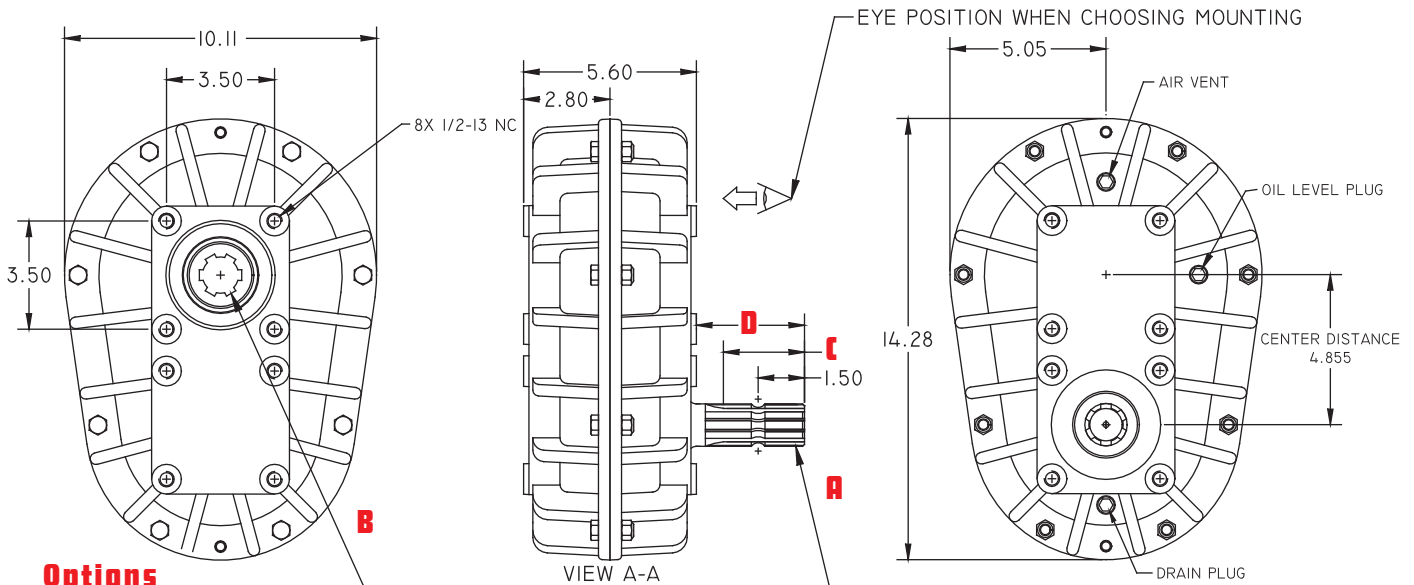


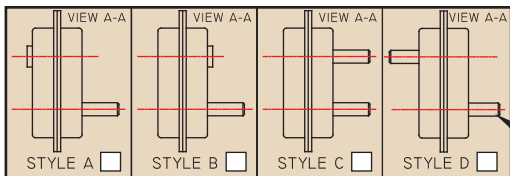
Company name: _____
Buyer's name: _____ **Phone number:** _____
Qty needed: _____ **Delivery:** _____



Options

- 1:1 RATIO
- 1.8:1 RATIO
- 2.1:1 RATIO
- CUSTOM RATIO
- NO OIL 80W90 OIL FILLED
- NOT PAINTED PAINTED
- 8X 1/2-13 NC
- 1 3/8-6 SPLINES HOLLOW SHAFT
- 1 3/4-20 SPLINES HOLLOW SHAFT
- CUSTOM SHAFT
- 1 3/8-6 SPLINES
- 1 3/4-20 SPLINES
- CUSTOM SHAFT

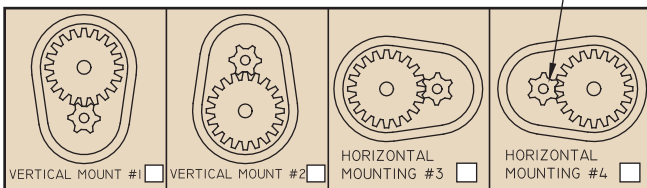
PART NUMBER	RATIO	HP	RPM		A	B	C	D
			RPM IN	RPM OUT				
MP-75-901	1:1	75	540	540	SHAFT 3/8-6 SPLINES	HOLLOW SHAFT 3/8-6 SPLINES	2 5/8"	3 1/2"
MP-75-902	1.8:1	85	1000	555	SHAFT 3/8-6 SPLINES	HOLLOW SHAFT 3/8-6 SPLINES	2 5/8"	3 1/2"
MP-75-903	2.1:1	80	1000	476	SHAFT 3/8-6 SPLINES	HOLLOW SHAFT 3/8-6 SPLINES	2 5/8"	3 1/2"
MP-75-904	3.06:1	110	2000	656	SHAFT 3/8-6 SPLINES	HOLLOW SHAFT 3/8-6 SPLINES	2 5/8"	3 1/2"
MP-85-901	1:1	85	540	540	SHAFT 3/4-20 SPLINES	HOLLOW SHAFT 3/4-20 SPLINES	3"	3 5/8"
MP-85-902	1.8:1	95	1000	555	SHAFT 3/4-20 SPLINES	HOLLOW SHAFT 3/4-20 SPLINES	3"	3 5/8"
MP-85-903	2.1:1	90	1000	476	SHAFT 3/4-20 SPLINES	HOLLOW SHAFT 3/4-20 SPLINES	3"	3 5/8"
MP-85-904	3.06:1	110	2000	656	SHAFT 3/4-20 SPLINES	HOLLOW SHAFT 3/4-20 SPLINES	3"	3 5/8"



PLEASE SEND A DRAWING IF CUSTOM SHAFT OR HOLLOW SHAFT DESIGN IS NEEDED

REDUCER INPUT

MOUNTING POSITION FOR OIL LEVEL PLUG, AIR VENT AND DRAIN PLUG



DRAWING ABOVE SHOWS A-1 (STYLE-MOUNTING)

MP-75 WEIGHT: 88 POUNDS
MP-85 WEIGHT: 90 POUNDS